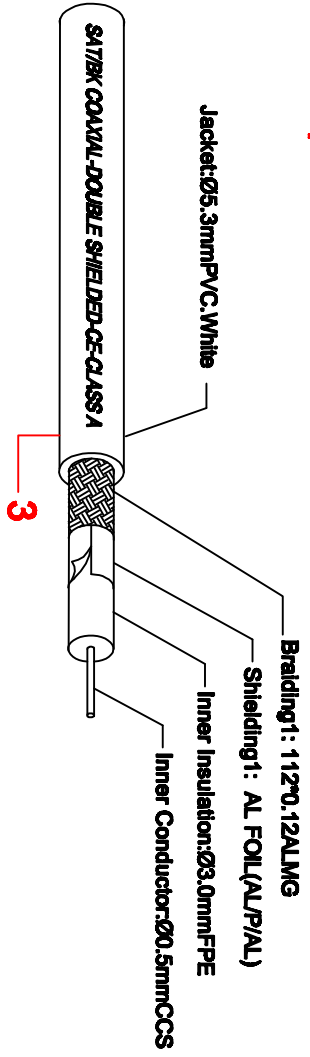


# Construction



# Wiring Method



1. dimensions As shown
2. Insulation resistance < 100 up to 500V = 2KV 50Hz 2 sec.
3. dielectric strength
4. TESTING: 100% OPEN AND SHORT AND MISWIRE TEST.
5. 100% RHHS COMPLIANT.

No	Item	Length	Packaging
67363	BKW 0150	1.5m	1/10/80/180
67364	BKW 0250	2.5m	1/10/80/120
67365	BKW 0350	3.5m	1/10/40/80
67366	BKW 0500	5.0m	1/10/30/80
67367	BKW 0750	7.5m	1/5/20/40
67368	BKW 1000	10	1/5/20/40

5	Copper coil	φ4.5mm H8mm	2PCS
4	MOLDED	PVC 4SP White	2*15g
3	CABLE	φ5.3 RG39 COAXIAL CABLE White(According to the chart)	L
2	CONNECTOR#2	COAX 9.5 90° Jack (Nickel plating 100%Shielded )	1set
1	CONNECTOR#1	COAX 9.5 90° Plug (Nickel plating 100% Shielded )	1set
NO	Item Name	SPEC	QTY
Edition	WEC/000	Scale	
Designed by	ming hong	Item Name	COAX 9.5 90° PLUG TO COAX 9.5 JACK COAXIAL CABLE
Checked by		Item NO	<b>BKW series cable</b>
Approved by		Unit:	MM
Date	11.28.2013		

