

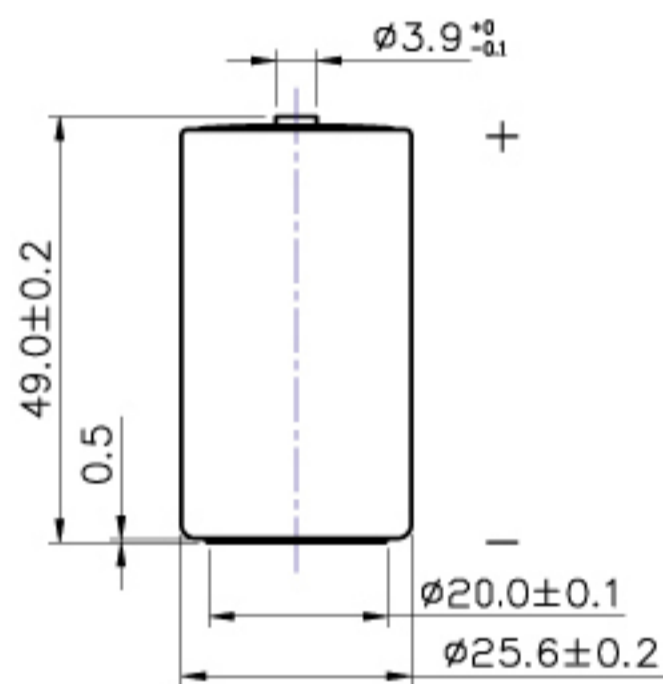
## SPECIFICATIONS

(Typical values for batteries stored at 20°C for one year)



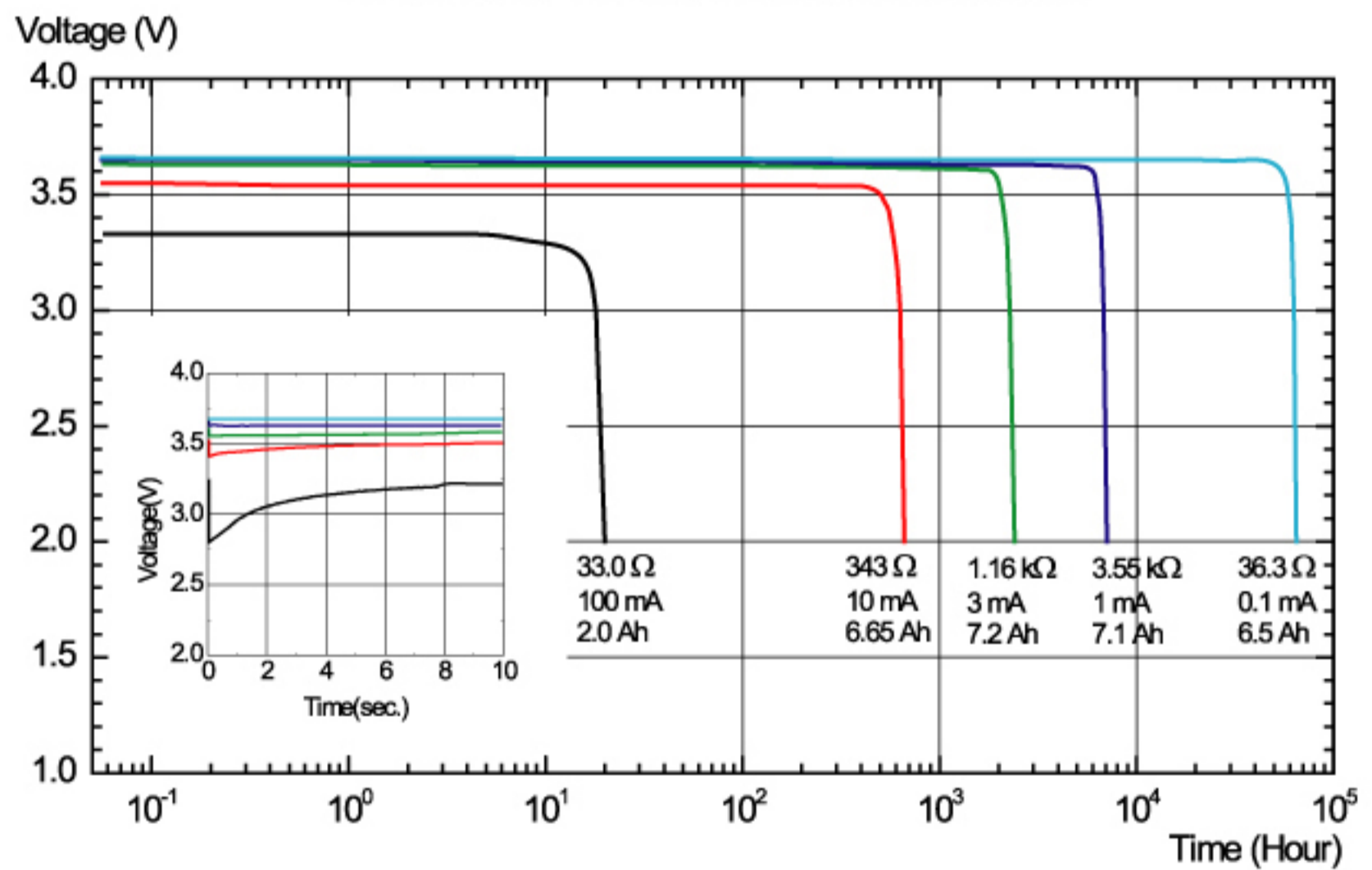
Nominal Capacity (At 3mA/20°C/68°F/2.0V Cut-Off)	7.2 Ah
Open Circuit Voltage (At 20°C/68°F)	3.67 V
Nominal Voltage (At 3mA/20°C/68°F)	3.6 V
Maximum Continuous Current	230 mA
Maximum Pulse Current Capability	400 mA
Operating Temperature Range	-55 ~ 85 °C
Weight	50.5 g (1.78 oz)
Anode Surface Area	30 cm <sup>2</sup>
Volume	26 cm <sup>3</sup>
Diameter (Max)	26.2 mm
Height (Max)	50 mm

DIMENSIONS IN MM

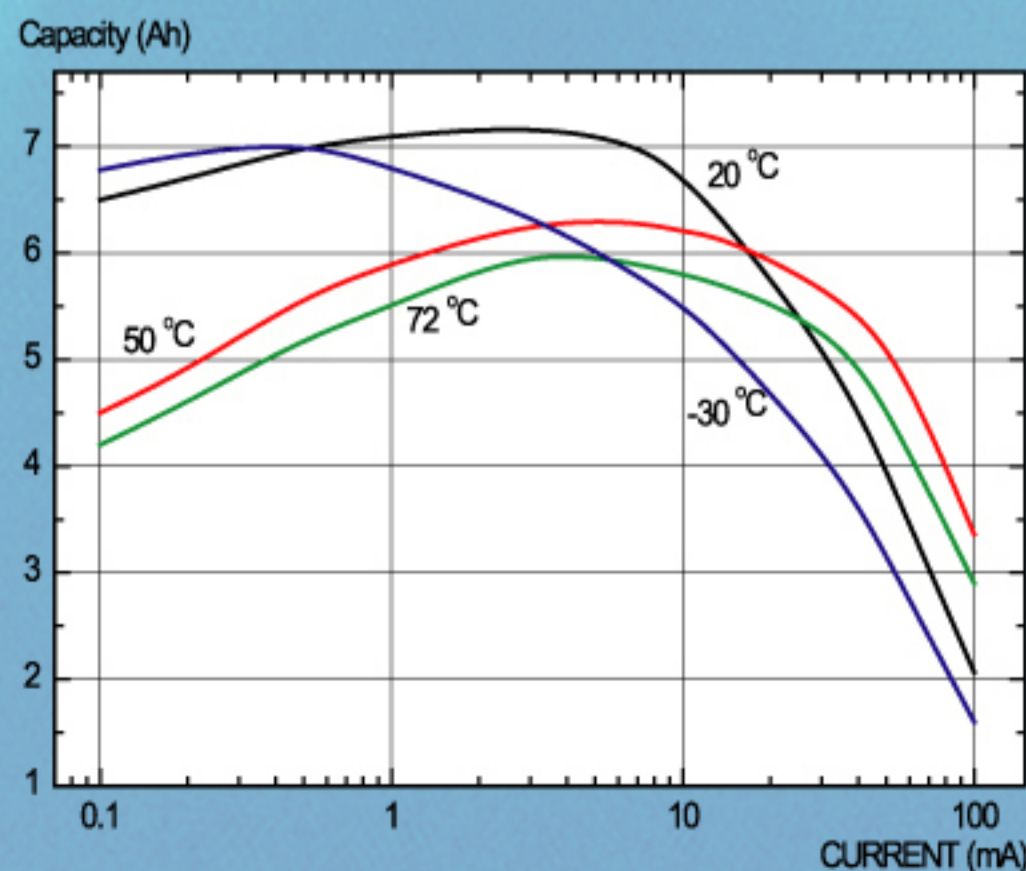


**WARNING**  
 Fire, Explosion And Severe Burn Hazard.  
 Do Not Recharge, Crush, Disassemble,  
 Heat Above 212°F(100°C), Incinerate  
 Or Expose Contents To Water

DISCHARGE CHARACTERISTICS AT +20°C



CAPACITY vs. CURRENT



OPERATING VOLTAGE

